



ReyLuc CABLE LUG FOR COMPACT CABLE

KEY FEATURES

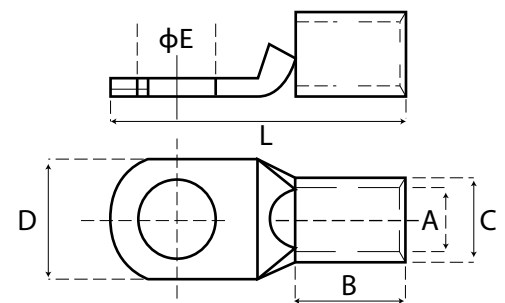
- BELL ENTRY TERMINALS TO FACILITATE EASY CABLE ENTRY
- PROVIDED WITH INSPECTION WINDOW, THUS ENSURING FULL CONDUCTOR INSERTION; WHILST THE BARREL LENGTH HAS BEEN DESIGNED TO ALLOW EASY AND ACCURATE POSITIONING OF THE DIES DURING CRIMPING OPERATION
- METICULOUSLY DESIGNED TUBE DIMENSION THAT ENSURES OPTIMUM ELECTRICAL CONDUCTIVITY AND MECHANICAL STRENGTH TO RESIST VIBRATION AND PULL-OUT

MATERIALS/FINISH

- HIGH CONDUCTIVITY SEAMLESS COPPER TUBE WHICH CONFORMS TO BS2874-C 101ASTM B 152-C11000
- ELECTROLYTICALLY TIN-PLATED TO AVOID OXIDATION



TYPE	DIMENSIONS (mm)						
	ØE	C	A	D	B	L	
RC1.5-5	1.5	5.2	3.4	1.8	8.0	5.0	17.0
RC1.5-6	1.5	6.5	3.4	1.8	9.8	5.0	17.0
RC2.5-5	2.5	5.2	4.0	2.4	8.0	7.0	20.0
RC2.5-6	2.5	6.5	4.0	2.4	9.8	7.0	20.0
RC2.5-8	2.5	8.4	4.0	2.4	12.0	7.0	23.0
RC4-5	4.0	5.2	4.8	3.1	8.0	7.0	20.0
RC4-6	4.0	6.5	4.8	3.1	9.8	7.0	20.0
RC4-8	4.0	8.4	4.8	3.1	12.0	7.0	23.0
RC6-6	6.0	6.5	5.5	3.8	9.8	9.0	24.0
RC6-8	6.0	8.4	5.5	3.8	12.0	9.0	26.0
RC6-10	6.0	8.4	5.5	3.8	15.0	9.0	28.0
RC10-6	10.0	6.5	6.2	4.5	10.5	9.0	25.0
RC10-8	10.0	8.4	6.2	4.5	12.0	9.0	27.0
RC10-10	10.0	10.5	6.2	4.5	15.0	9.0	30.0
RC16-6	16.0	6.5	7.1	5.4	11.6	12.0	30.0
RC16-8	16.0	8.4	7.1	5.4	12.0	12.0	30.0
RC16-10	16.0	10.5	7.1	5.4	15.0	12.0	33.0
RC16-12	16.0	13.0	7.1	5.4	17.0	12.0	35.0
RC25-6	25.0	6.5	8.8	6.8	13.2	14.0	33.0
RC25-8	25.0	8.4	8.8	6.8	13.2	14.0	33.0
RC25-10	25.0	10.5	8.8	6.8	16.0	14.0	34.0
RC25-12	25.0	13.0	8.8	6.8	17.0	14.0	36.0
RC35-6	35.0	6.5	10.2	8.2	15.0	14.0	38.0
RC35-8	35.0	8.4	10.2	8.2	15.0	14.0	38.0
RC35-10	35.0	10.5	10.2	8.2	16.0	14.0	39.0
RC35-12	35.0	13.0	10.2	8.2	18.0	14.0	39.0
RC35-16	35.0	17.0	10.2	8.2	23.0	14.0	45.0
RC50-8	50.0	8.4	11.6	9.5	17.0	16.0	45.0
RC50-10	50.0	10.5	11.6	9.5	17.0	16.0	45.0
RC50-12	50.0	13.0	11.6	9.5	19.0	16.0	45.0
RC70-8	70.0	8.4	13.8	11.2	21.0	20.0	52.0
RC70-10	70.0	10.5	13.8	11.2	21.0	20.0	52.0
RC70-12	70.0	13.0	13.8	11.2	21.0	20.0	52.0
RC70-16	70.0	17.0	13.8	11.2	25.2	20.0	53.0
RC95-8	95.0	8.4	16.4	13.5	24.0	23.0	58.0
RC95-10	95.0	10.5	16.4	13.5	24.0	23.0	58.0
RC95-12	95.0	13.0	16.4	13.5	24.0	23.0	58.0
RC95-16	95.0	17.0	16.4	13.5	24.0	23.0	58.0
RC120-10	120.0	10.5	18.2	15.0	28.0	22.0	63.0
RC120-12	120.0	13.0	18.2	15.0	28.0	22.0	63.0
RC120-16	120.0	17.0	18.2	15.0	28.0	22.0	63.0
RC150-8	150.0	8.4	20.1	16.5	30.0	26.0	70.0
RC150-10	150.0	10.5	20.1	16.5	30.0	26.0	70.0
RC150-12	150.0	13.0	20.1	16.5	30.0	26.0	70.0
RC150-16	150.0	17.0	20.1	16.5	30.0	26.0	70.0
RC185-10	185.0	10.5	22.6	18.5	33.0	32.0	75.0
RC185-12	185.0	13.0	22.6	18.5	33.0	32.0	75.0
RC185-14	185.0	15.0	22.6	18.5	33.0	32.0	75.0
RC185-16	185.0	17.0	22.6	18.5	33.0	32.0	75.0
RC240-12	240.0	13.0	25.5	21.0	37.0	38.0	90.0
RC240-16	240.0	17.0	25.5	21.0	37.0	38.0	90.0
RC300-12	300.0	13.0	28.8	23.5	43.0	42.0	98.0
RC300-16	300.0	17.0	28.8	23.5	43.0	42.0	98.0
RC400-12	400.0	13.0	34.3	28.5	49.0	44.0	110.0
RC400-16	400.0	17.0	34.3	28.5	49.0	44.0	110.0
RC500-16	500.0	17.0	37.4	30.0	53.0	48.0	120.0
RC500-20	500.0	21.0	37.4	30.0	53.0	48.0	120.0
RC630-20	630.0	21.0	43.2	35.0	65.0	56.0	140.0



* VARIOUS SPECIAL HOLE SIZES ON REQUEST